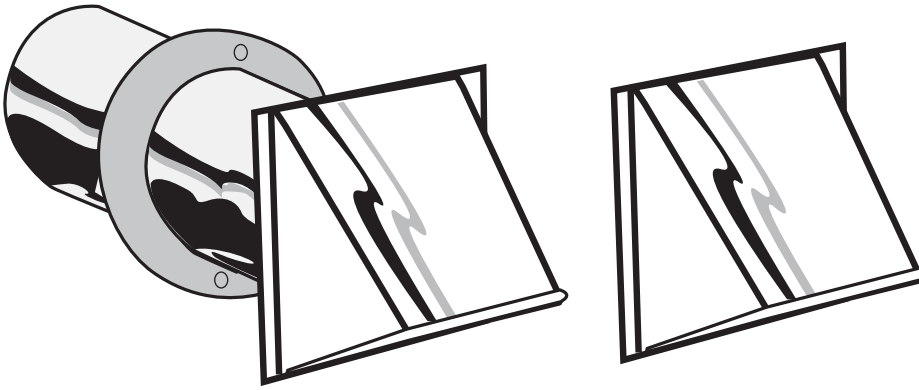


Wide Mouth Aluminum Vents - 3" & 4" dia.
(7.5 & 10.1 cm) with aluminum pipe and collar



DAVHA3/12, DAVHCA4, DAVHA4/12

DAV4/48
(hood only)

Model No.	Description	Color
DAVHA3/12	3" hood, pipe & collar	Silver
DAVHCA4	4" hood, pipe & collar	Silver
DAVHA4/12	4" hood, pipe & collar	Silver
DAV4/48	4" hood only	Silver

Performance Data

for aluminum vent hoods

Hood

- aluminum
- aluminum gravity damper

Pipe

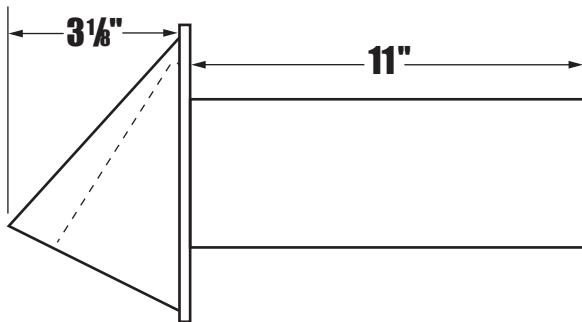
- aluminum

Collar

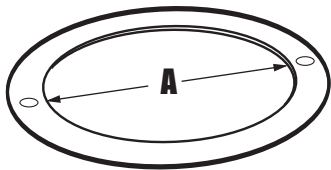
- styrene

General Information

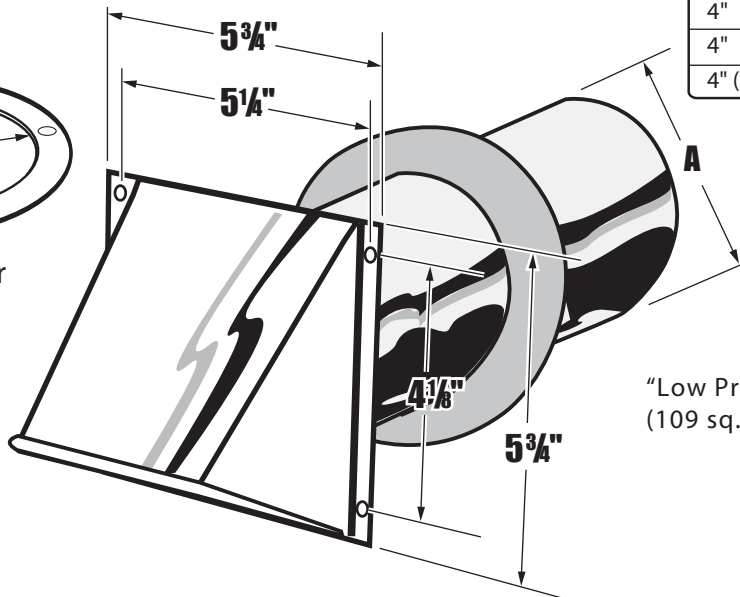
- 3" and 4" (7.5 & 10.1 cm) wide mouth aluminum vents
- light gauge most commonly used in dryer or bathroom venting
- low profile & 17 sq. in. (109 sq. cm) of free air
- safe all metal venting
- positive action vent closure maximizes efficiency



Model No.	A
DAVHA3/12	3"
DAVHCA4	4"
DAVHA4/12	4"



Plastic collar



"Low Profile" and 17 sq. inches
(109 sq. cm) of free air

Hood Dia.	CFM	p/d in/w.c.
4" (10.2 cm)	50	.017
4" (10.2 cm)	75	.026
4" (10.2 cm)	100	.038
4" (10.2 cm)	125	.045
4" (10.2 cm)	150	.075
4" (10.2 cm)	175	.125
4" (10.2 cm)	200	.13