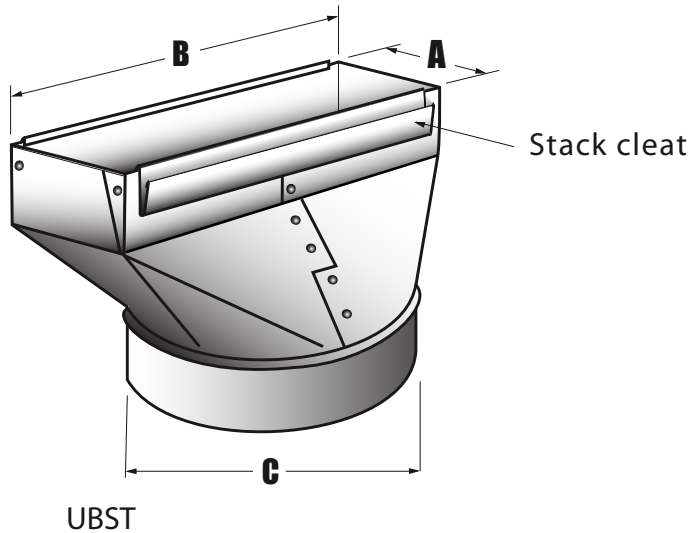


UBST-Universal Stack Boot, Galvanized



Universal Boot

Model	Description
	A X B X C
UBST24106	2 1/4" x 10" x 6"
UBST24126	2 1/4" x 12" x 6"
UBST34104	3 1/4" x 10" x 4"
UBST34105	3 1/4" x 10" x 5"
UBST34106	3 1/4" x 10" x 6"
UBST34107	3 1/4" x 10" x 7"
UBST34108	3 1/4" x 10" x 8"
UBST34126	3 1/4" x 12" x 6"

Performance Data

- for galvanized transitions

Material

- galvanized sheet metal (standard)

Construction

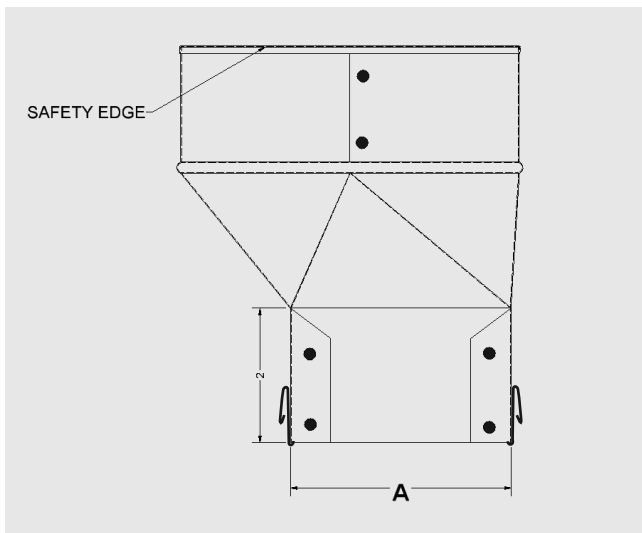
- dimple lock

Operating Temperature Range

- -100°F to 430°F / -73°C to 221°C

General Information

- connecting collars with smooth edge for safety
- Allows for connection to wall stack duct using Stack cleats
- transition from Round to Rectangular duct



Other sizes available upon request

