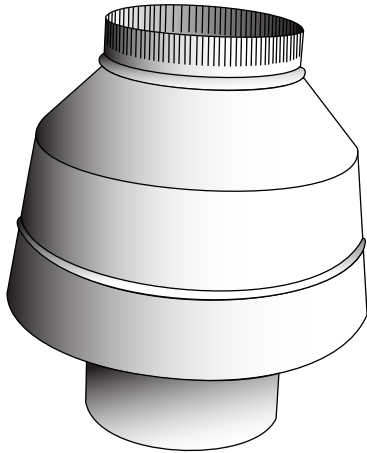
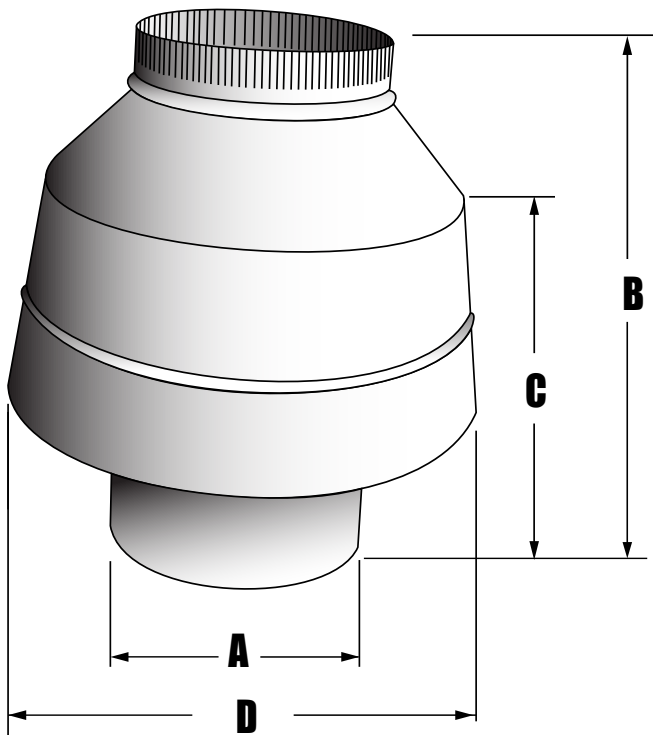


VEDD - Vertical Draft Diverter



VEDD



VEDD

Model No.	Description
VEDD03	3"(7.6cm)dia. 28ga. Galvanized Draft Diverter
VEDD04	4"(10.1cm)dia. 28ga. Galvanized Draft Diverter
VEDD05	5"(12.7cm)dia. 28ga. Galvanized Draft Diverter
VEDD06	6"(15.2cm)dia. 28ga. Galvanized Draft Diverter
VEDD07	7"(17.7cm)dia. 26ga. Galvanized Draft Diverter
VEDD08	8"(20.3cm)dia. 26ga. Galvanized Draft Diverter
VEDD10	10"(25.4cm)dia. 26ga. Galvanized Draft Diverter
VEDD12	12"(30.4cm)dia. 26ga. Galvanized Draft Diverter

Performance Data

Material:

- Galvanized sheet metal
28ga & 26ga

Construction:

- Spot weld / Rivet

General Information

- assists in creating a "pull or suction"
- allows for the occasional down draught created by sudden gusts of wind
- check your Local Building Code for the use of this product
- check the appliance manual for proper sizing and installation

VERTICAL DRAFT DIVERTER

Model No.	Description	Pc.Pk.
	A x B x C x D	
VEDD03	3 x 9 3/4 x 6 3/4 x 5 1/2	1
VEDD04	4 x 11 3/4 x 8 3/4 x 7 1/4	1
VEDD05	5 x 12 1/2 x 9 x 9 3/4	1
VEDD06	6 x 13 3/4 x 10 x 11 3/4	1
VEDD07	7 x 15 1/2 x 11 x 13 3/4	1
VEDD08	8 x 17 1/4 x 12 1/4 x 15 3/4	1
VEDD10	10 x 19 3/4 x 14 1/2 x 19 3/4	1
VEDD12	12 x 21 1/2 x 16 3/4 x 21	1